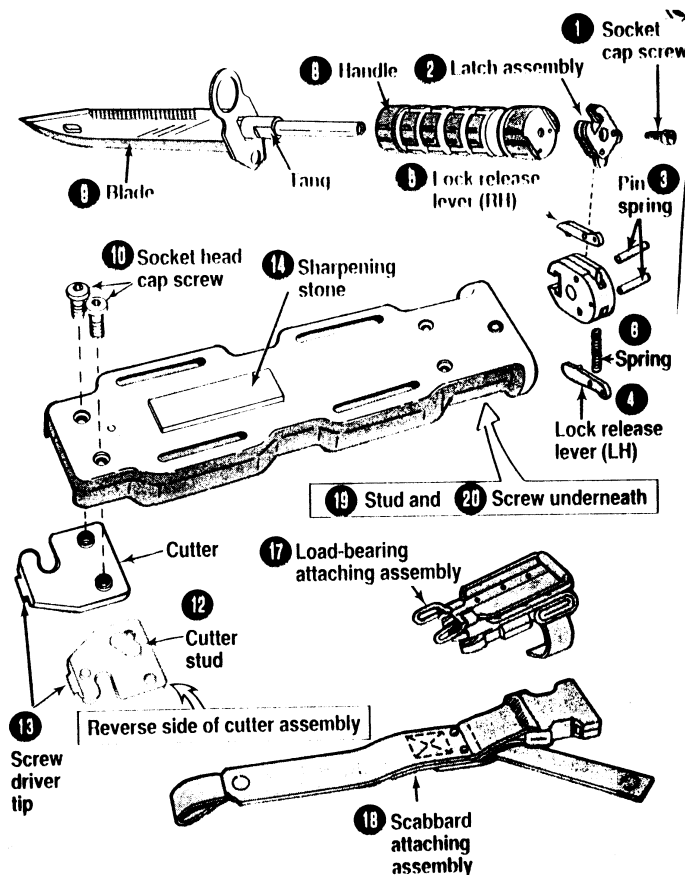


AS OF: 1 DEC 99

**M-9 BAYONET PART NSN**

<u>NSN</u>	<u>P/N</u>	<u>CAGE</u>	<u>NOMENCLATURE</u>	<u>ITEM</u>
1095-01-227-1739	12011860	19200	M-9 Bayonet w/ Scabbard, Complete	
1095-00-017-9701	8427025	19204	M-7 Bayonet w/ Scabbard, Complete	
5305-01-278-1150	12598171	19200	Screw, Cap, Socket	1
			Latch Assembly (order new M9)	2
5315-00-058-6081	CF95106	2C085	Spring, Pin	3
5340-00-051-3901	11010011	19204	Lever, Lock-Release, Left Hand	4
5340-00-051-3899	11010010	19204	Lever, Lock-Release, Right Hand	5
5360-00-716-0949	7160949	19205	Spring, Helical Compression	6
5110-01-277-5767	12598170	19200	Handle, Knife Blade	8
			Blade, Order New M9	9
5305-01-305-6170	ANSI B18.3	80204	Screw, Socket Head, Cap	10
1005-01-275-5397	12598182	19200	Cutter Assembly (DS)	11
			Cutter Stud (Part of Cutter Assembly)	12
			Screw Driver Tip (Part of Cutter Assembly)	13
5345-01-275-5395	12598183	19200	Stone, Sharpening	14
1005-01-278-1174	12598195	19200	Attaching Assembly, Load Bearing	17
5340-01-275-5398	12598189	19200	Attaching Assembly, Scabbard	18
5325-00-842-1879	BS10370BLK	61864	Stud	19
5305-00-455-2549	FFS92	81348	Machine screw	20



Please visit [www.M9Bayonet.com](http://www.M9Bayonet.com) for additional information about the M9 Bayonet!